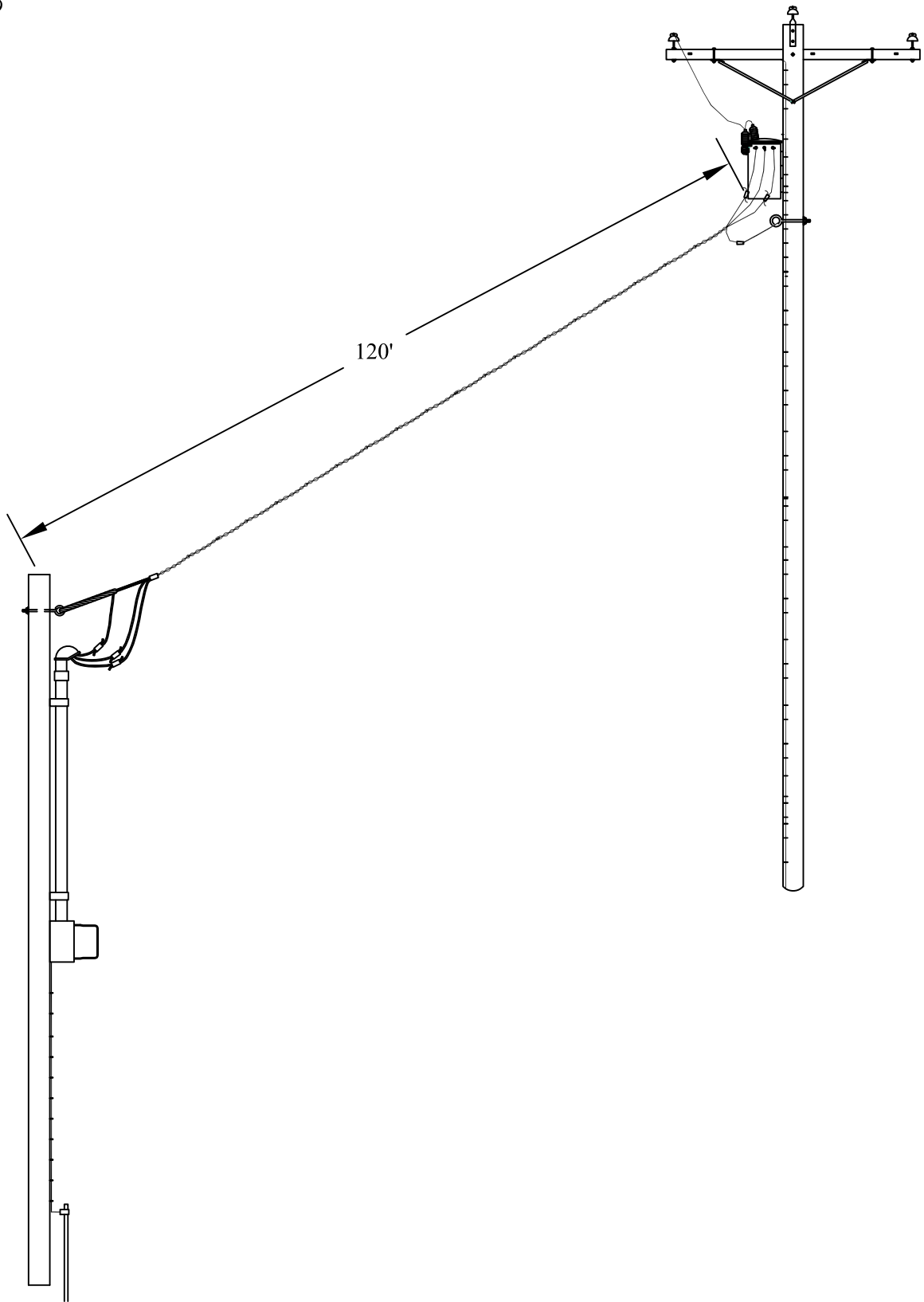


Overhead Temporary Service
Existing Transformer

1) 0' - 120' = \$76.89



DATE: 09/09/14
DRAWN BY: E.J.W.
APR'V'D BY:
APR'V'D BY:
SCALE: N.T.S.

TITLE:
**TEMPORARY SERVICE
EXISTING TRANSFORMER**

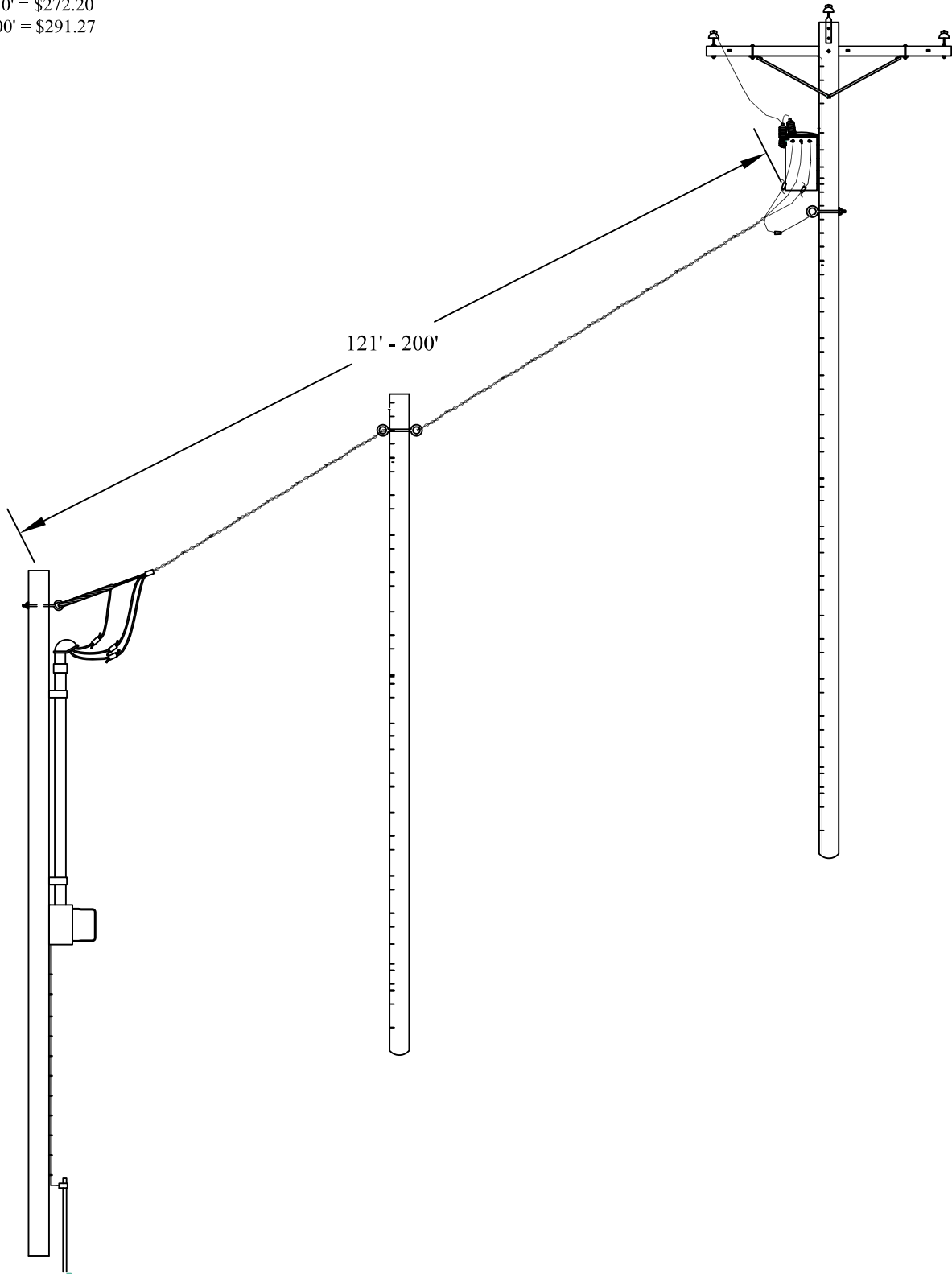
REVISIONS	
BY:	DATE:

STANDARD No.

PAGE:
1 OF 8

Overhead Temporary Service
Special Conditions - Lift Pole Needed

- 1) 121' - 150' = \$272.20
- 2) 150' - 200' = \$291.27



DATE: 09/09/14
 DRAWN BY: E.J.W.
 APRV'D BY:
 APRV'D BY:
 SCALE: N.T.S.

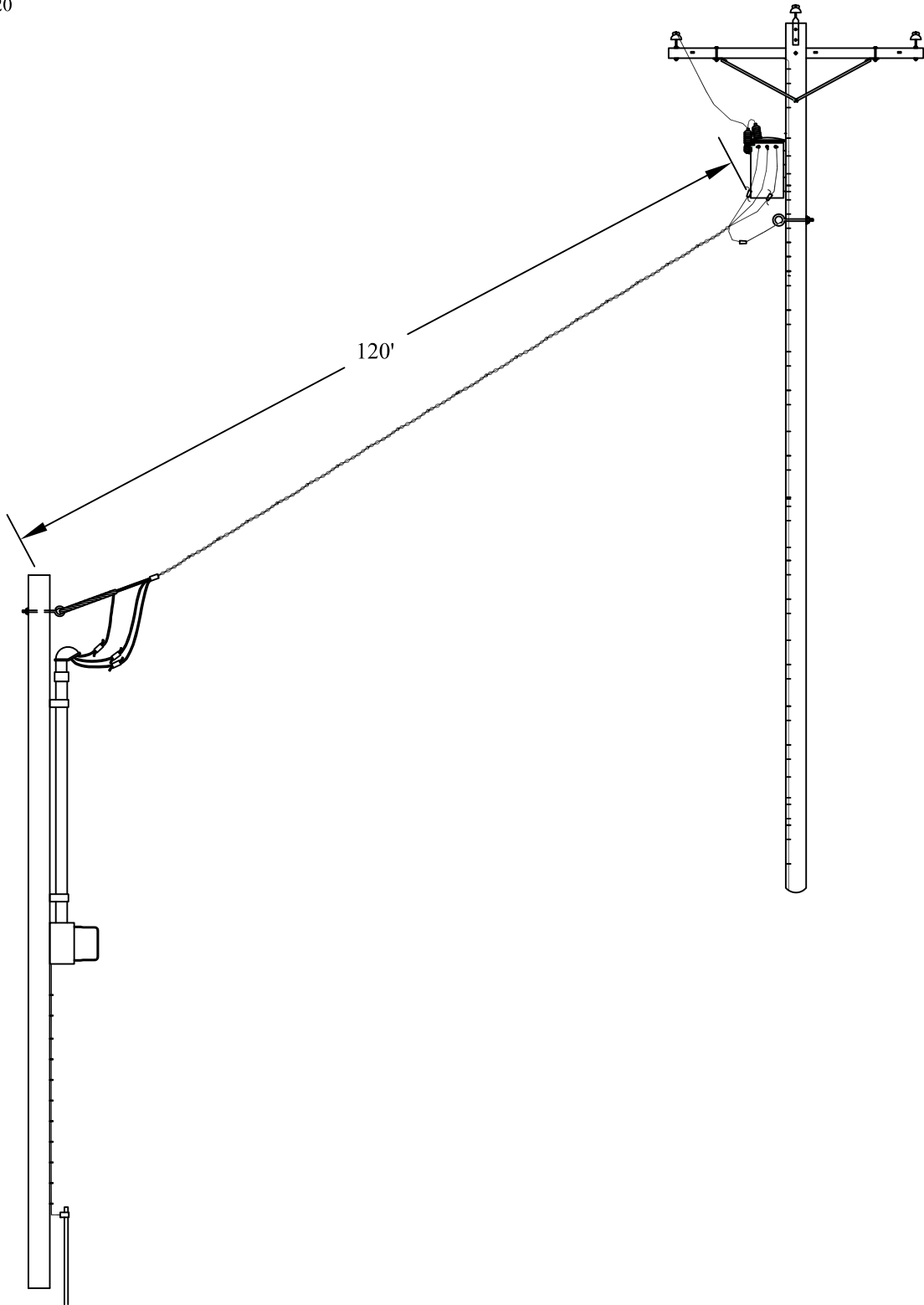
TITLE:
**TEMPORARY SERVICE
 SPECIAL CONDITIONS
 LIFT POLE NEEDED**

REVISIONS	
BY:	DATE:

STANDARD No.
 PAGE:
 2 OF 8

Overhead Temporary Service
Special Conditions - Transformer Needed

1) 0' - 120' = \$272.20



DATE: 09/09/14
 DRAWN BY: E.J.W.
 APRV'D BY:
 APRV'D BY:
 SCALE: N.T.S.

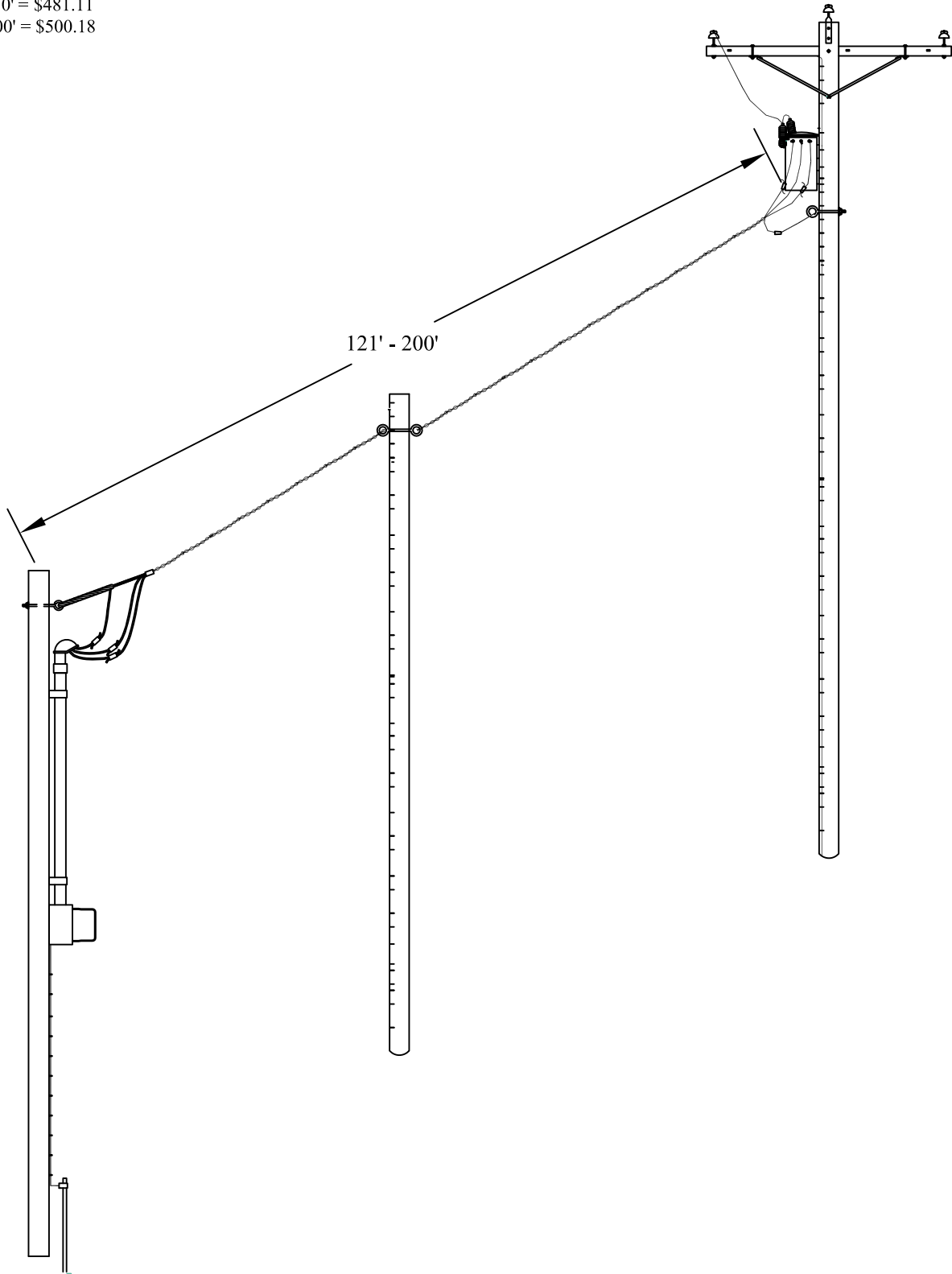
TITLE:
**TEMPORARY SERVICE
 SPECIAL CONDITIONS
 TRANSFORMER NEEDED**

REVISIONS	
BY:	DATE:

STANDARD No.
 PAGE:
 3 OF 8

Overhead Temporary Service
Special Conditions - Transformer & Lift Pole Needed

- 1) 121' - 150' = \$481.11
- 2) 150' - 200' = \$500.18



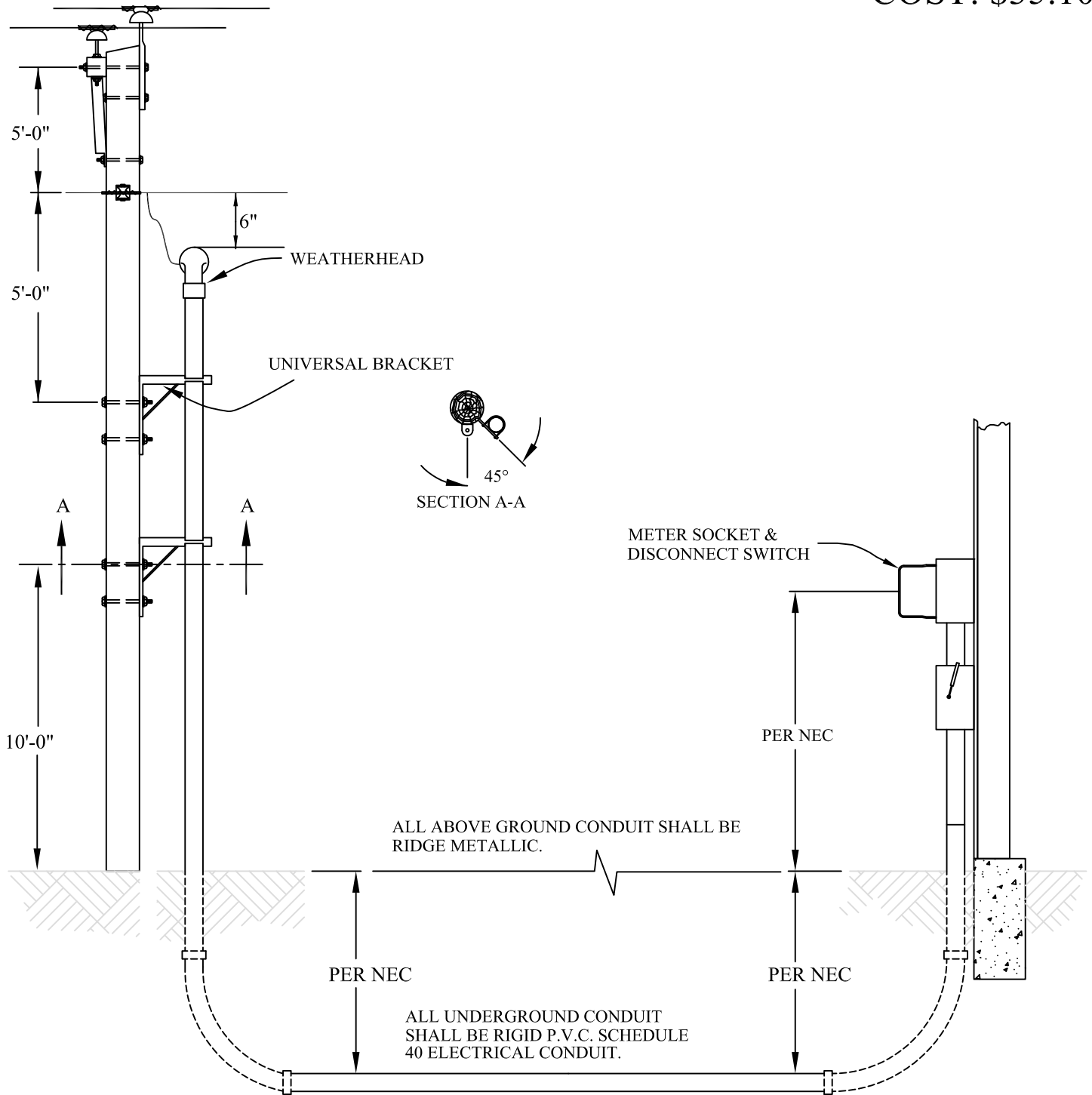
DATE: 09/09/14
 DRAWN BY: E.J.W.
 APRV'D BY:
 APRV'D BY:
 SCALE: N.T.S.

TITLE:
**TEMPORARY SERVICE
 SPECIAL CONDITIONS
 TRANSFORMER & LIFT POLE NEEDED**

REVISIONS	
BY:	DATE:

STANDARD No.

 PAGE:
 4 OF 8

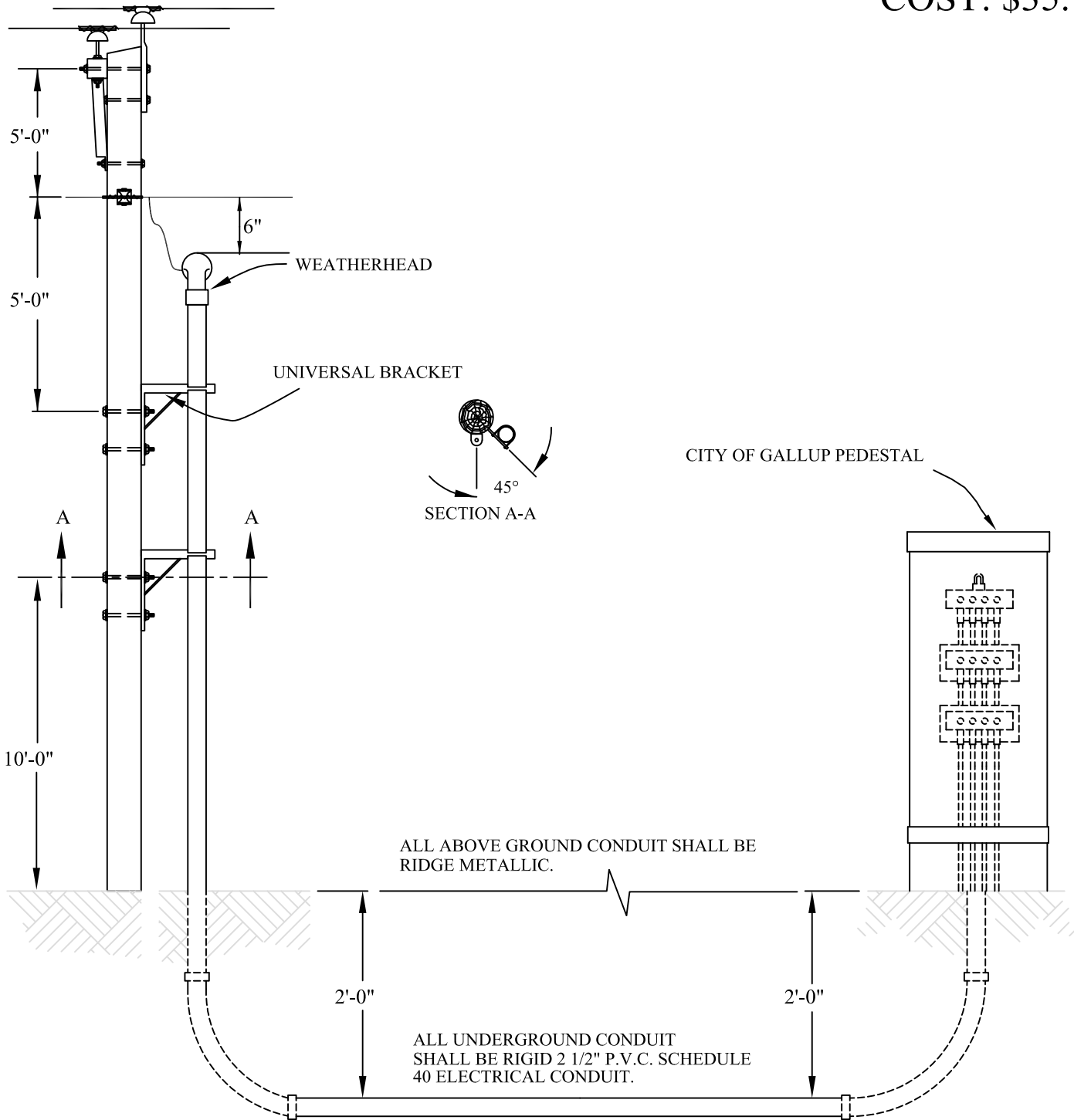


NOTES

1. CONDUIT SHALL BE LOCATED ON THE OPPOSITE SIDE OF THE POLE FROM THE CROSSARM OR DOWN GUY.
2. CONDUIT ABOVE GRADE MUST BE CONNECTED TO GROUND.
3. CONDUCTOR LEADS SHALL PROTRUDE FROM WEATHERHEAD A SUFFICIENT LENGTH TO CONNECT TO TRANSFORMER SECONDARY BUSHINGS.

	DATE: 09/09/14	TITLE:	REVISIONS		STANDARD No.
	DRAWN BY: E.J.W.	TEMPORARY SERVICE	BY:	DATE:	
	APRV'D BY:	SECONDARY RISER			
	APRV'D BY:	UNDERGROUND SERVICE			PAGE:
	SCALE: N.T.S.				5 OF 8

COST: \$35.10



NOTES

1. CONDUIT SHALL BE LOCATED ON THE OPPOSITE SIDE OF THE POLE FROM THE CROSSARM OR DOWN GUY.
2. CONDUIT ABOVE GRADE MUST BE CONNECTED TO GROUND.
3. CONDUCTOR LEADS SHALL PROTRUDE FROM WEATHERHEAD A SUFFICIENT LENGTH TO CONNECT TO TRANSFORMER SECONDARY BUSHINGS.
4. CONTRACTOR IS RESPONSIBLE FOR ALL TRENCHING, CONDUIT, AND CONDUCTOR FOR THE SECONDARY INSTALLATION.



DATE: 09/09/14
 DRAWN BY: E.J.W.
 APRV'D BY:
 APRV'D BY:
 SCALE: N.T.S.

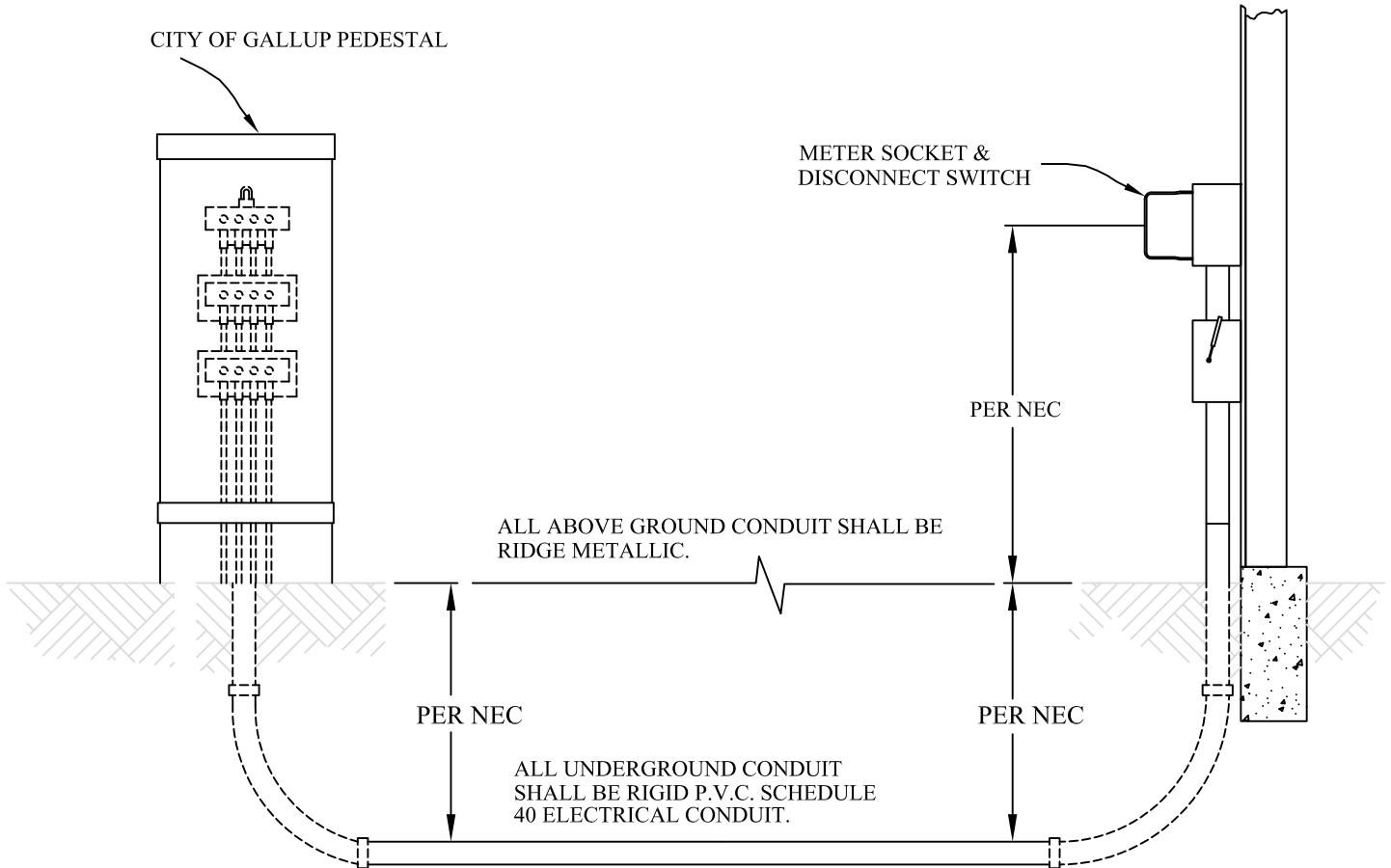
TITLE:
 TEMPORARY SERVICE
 SECONDARY RISER
 UNDERGROUND PEDESTAL

REVISIONS	
BY:	DATE:

STANDARD No.

PAGE:

6 OF 8



ALL ABOVE GROUND CONDUIT SHALL BE RIDGE METALLIC.

PER NEC

ALL UNDERGROUND CONDUIT SHALL BE RIGID P.V.C. SCHEDULE 40 ELECTRICAL CONDUIT.

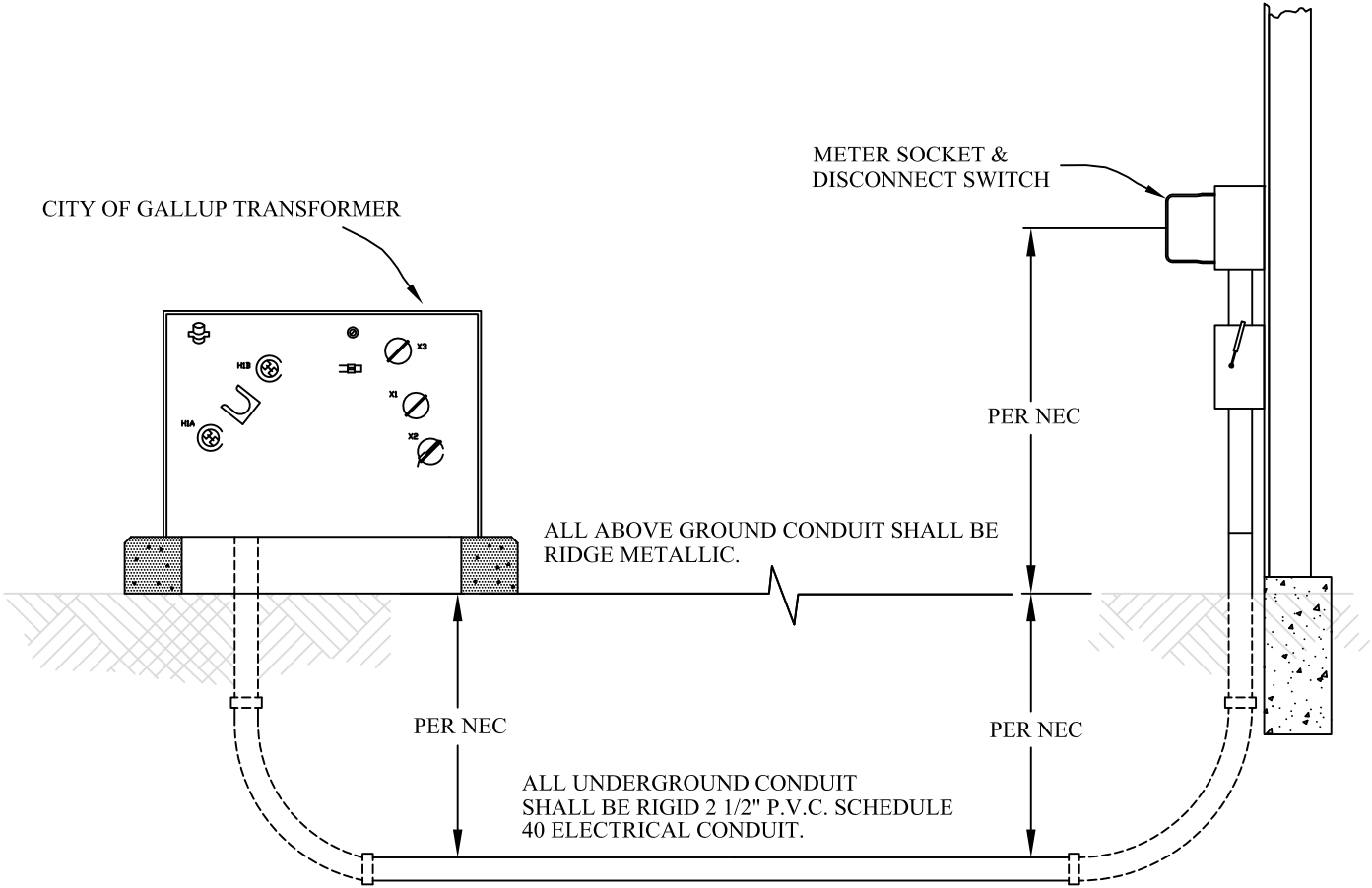
PER NEC

PER NEC

NOTES

1. CONTRACTOR RESPONSIBLE FOR ALL TRENCHING, CONDUIT, AND CONDUCTOR FOR THE SECONDARY INSTALLATION
2. CONDUIT ABOVE GRADE MUST BE CONNECTED TO GROUND.

	DATE: 09/09/14	TITLE: TEMPORARY SERVICE SECONDARY PEDESTAL UNDERGROUND SERVICE	REVISIONS		STANDARD No.
	DRAWN BY: E.J.W.		BY:	DATE:	
	APRV'D BY:				PAGE: 7 OF 8
	APRV'D BY:				
	SCALE: N.T.S.				



NOTES

- 1. CONTRACTOR IS RESPONSIBLE FOR ALL TRENCHING, CONDUIT, AND CONDUCTOR FOR THE SECONDARY INSTALLATION.
- 2. CONDUIT ABOVE GRADE MUST BE CONNECTED TO GROUND.

	DATE: 09/09/14	TITLE: TEMPORARY SERVICE TRANSFORMER TO METER UNDERGROUND SERVICE	REVISIONS		STANDARD No.
	DRAWN BY: E.J.W.		BY:	DATE:	
	APRV'D BY:				PAGE: 8 OF 8
	APRV'D BY:				
	SCALE: N.T.S.				