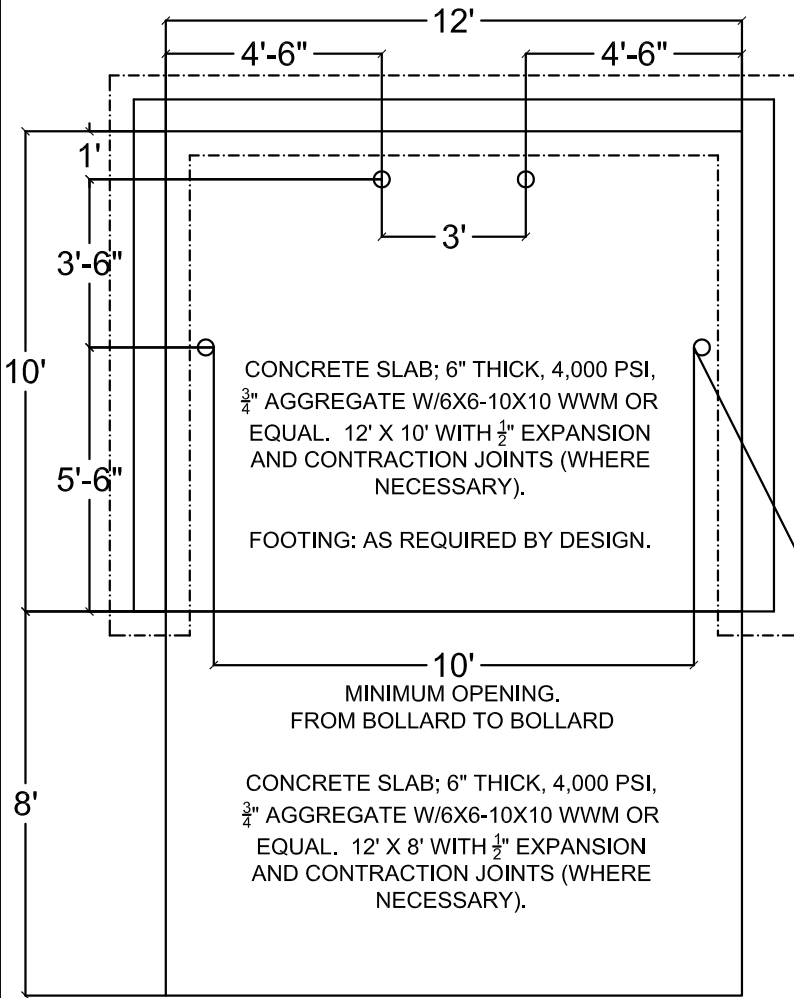


STANDARD ENCLOSURE

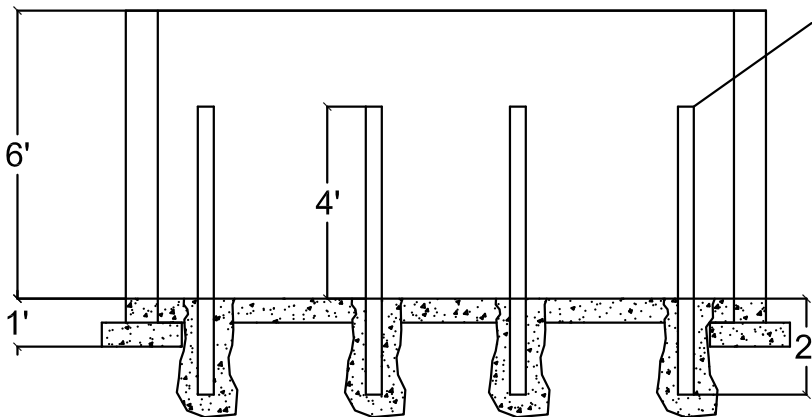


IT IS NOT THE INTENTION OF THE SOLID WASTE DEPT TO CONTROL THE DESIGN OF AN ENCLOSURE. IT IS THE INTENT TO GIVE THE MINIMUM WIDTH, LENGTH, AND HEIGHT FOR VARIED TYPES OF ENCLOSURES.

DIMENSIONS GIVEN ARE TO THE INSIDE OF THE ENCLOSURE WALLS AND ARE THE MINIMUM SIZES REQUIRED FOR THE SLAB ITSELF. FOOTING WILL VARY WITH THE DESIGN OF THE ENCLOSURE.

SIDE BOLLARDS ARE REQUIRED. BOLLARDS ARE TO BE 6" - 12" FROM WALL.

APRON REQUIRED IN FRONT OF EACH ENCLOSURE 6" WITH REINFORCING TO WITHSTAND 57,000 LBS.



MINIMUM 4" OUTSIDE DIAMETER CONCRETE FILLED STEEL PIPE SHALL BE ENCASED IN 12" OF CONCRETE ALL AROUND AND EMBEDDED AT A DEPTH OF 2'.

SOLID WASTE DEPT (505)863-1212



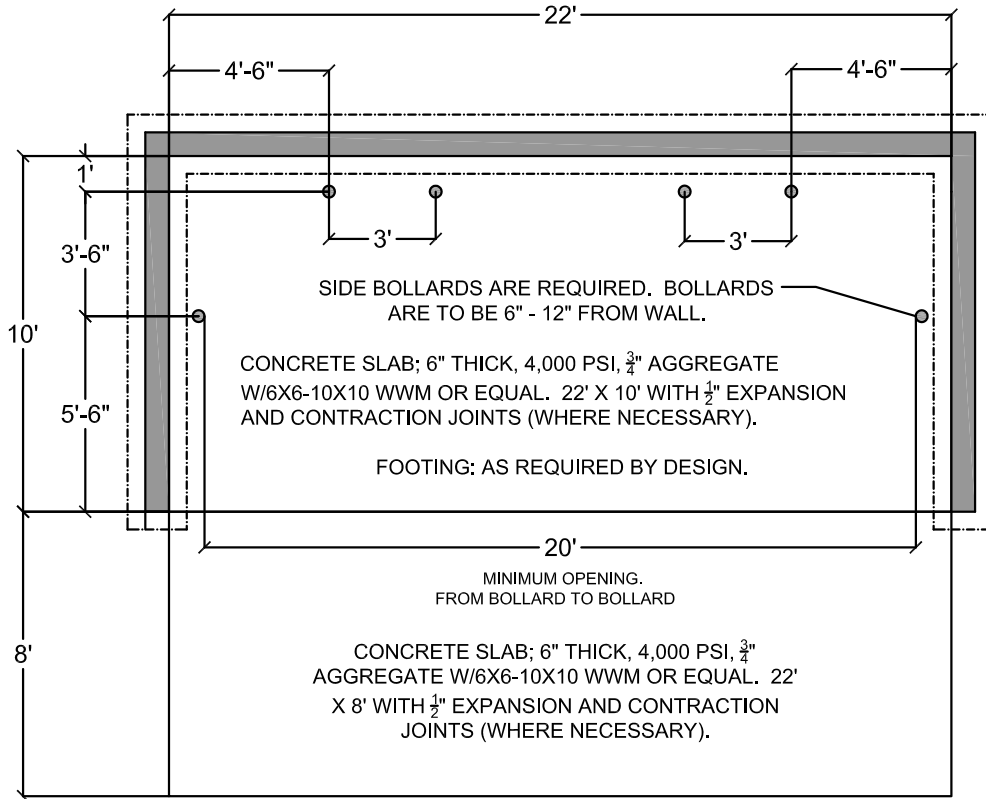
DATE: 9/4/2012  
 DRAWN BY: R.P.  
 APPROVED BY:  
 APPROVED BY:  
 SCALE: N.T.S.

TITLE:  
**METAL CONTAINER ENCLOSURE**

REVISIONS	
BY:	DATE:
M.W.	6/27/2013

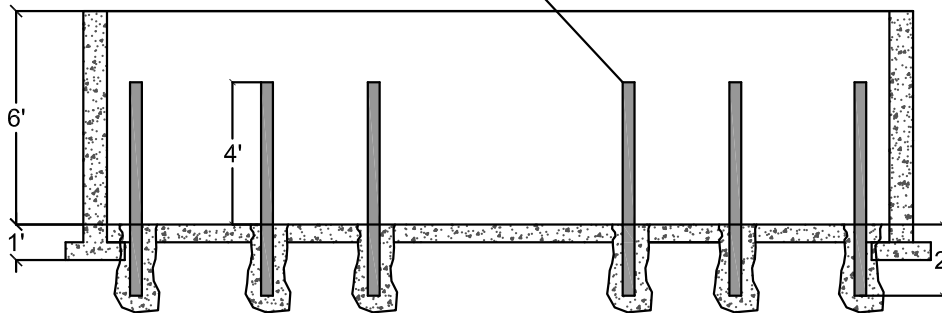
STANDARD No.  
**MCE-1**  
 PAGE:  
 1 OF 1

STANDARD ENCLOSURE



APRON REQUIRED IN FRONT OF EACH ENCLOSURE  
6" WITH REINFORCING TO WITHSTAND 57,000 LBS.

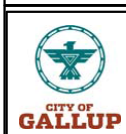
MINIMUM 4" OUTSIDE DIAMETER CONCRETE FILLED STEEL PIPE  
SHALL BE ENCASED IN 12" OF CONCRETE ALL AROUND AND  
EMBEDDED AT A DEPTH OF 2'.



IT IS NOT THE INTENTION OF THE SOLID WASTE DEPT TO CONTROL THE DESIGN OF AN ENCLOSURE. IT IS THE INTENT TO GIVE THE MINIMUM WIDTH, LENGTH, AND HEIGHT FOR VARIED TYPES OF ENCLOSURES.

DIMENSIONS GIVEN ARE TO THE INSIDE OF THE ENCLOSURE WALLS AND ARE THE MINIMUM SIZES REQUIRED FOR THE SLAB ITSELF. FOOTING WILL VARY WITH THE DESIGN OF THE ENCLOSURE.

SOLID WASTE DEPT (505)863-1212



DATE: 6/24/2013

DRAWN BY: M.W.

APPROVED BY:

APPROVED BY:

SCALE: N.T.S.

TITLE:

METAL CONTAINER  
ENCLOSURE

REVISIONS

BY:

DATE:

STANDARD No.

MCE-2

PAGE:

1 OF 1